



Cyclo - Pentane
polyurethane body



Horizontal Plug-in Display
Cabinet



Temperature range:
3M1 - 3M2



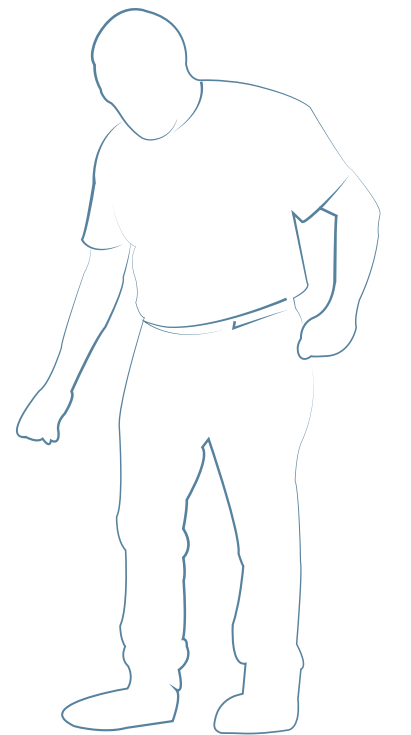
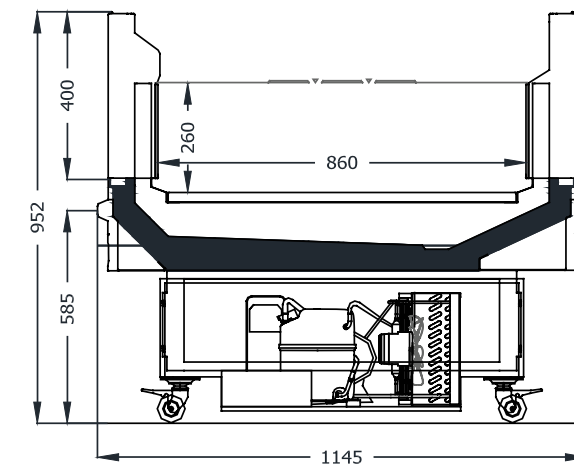
Wet surface:
Galvanized steel with
PVC-coating



Evaporator in the bottom



- Base Height
585
- Available Lengths
1250
1875
- Available Heights
950
- Available Depths
860
- Lighting Options
T5
LED
- Refrigerant
R134
R404
- Cover Options
Sliding Glass Lids
Night Cover





Cyclo - Pentane
polyurethane body



Horizontal Plug-in Display
Cabinet



Temperature range:
3L1 - 3L2



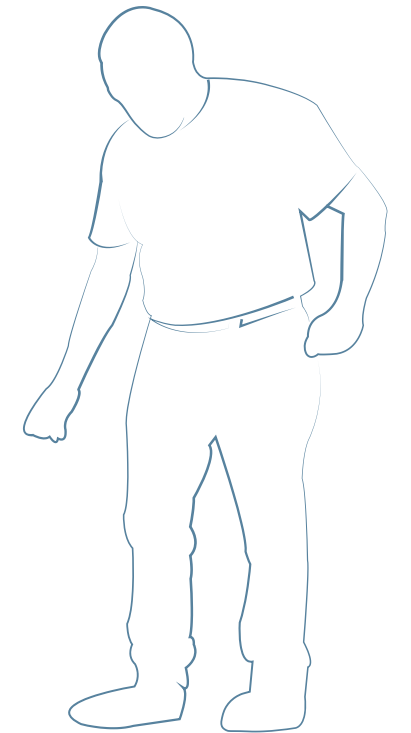
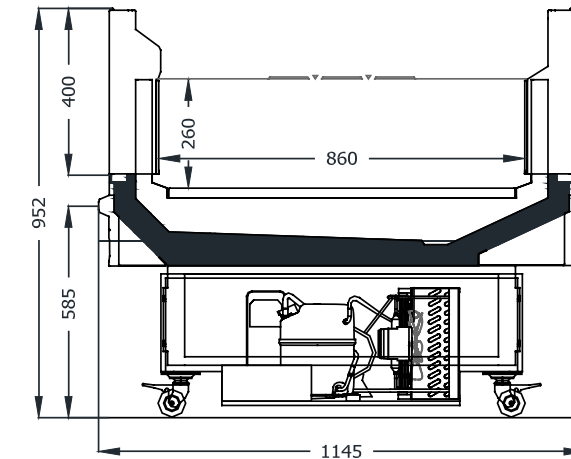
Wet surface:
Galvanized steel with
PVC-coating



Evaporator in the bottom



- Base Height
585
- Available Lengths
1250
1875
- Available Heights
950
- Available Depths
860
- Lighting Options
T5
LED
- Refrigerant
R404
- Cover Options
Sliding Glass Lids
Night Cover





Cyclo - Pentane
polyurethane body



Horizontal Plug-in Display
Cabinet



Temperature range:
3L1 - 3L2 - 3M1 - 3M2



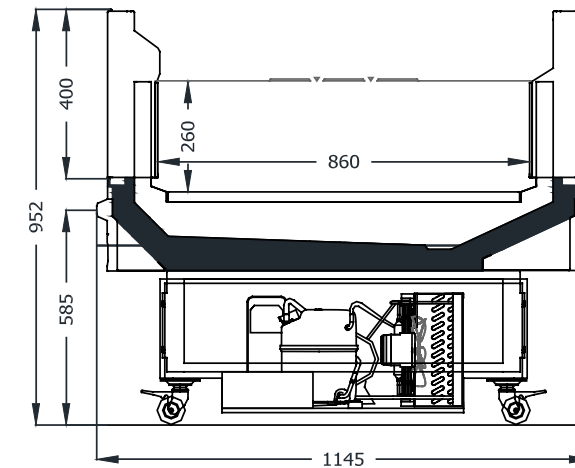
Wet surface:
Galvanized steel with
PVC-coating



Evaporator in the bottom



- Base Height
- 585
- Available Lengths
- 1250
- 1875
- Available Heights
- 950
- Available Depths
- 860
- Lighting Options
- T5
- LED
- Refrigerant
- R404
- Cover Options
- Sliding Glass Lids
- Night Cover





Cyclo - Pentane
polyurethane body



Horizontal Plug-in Display
Cabinet



Temperature range:
3M1 - 3M2



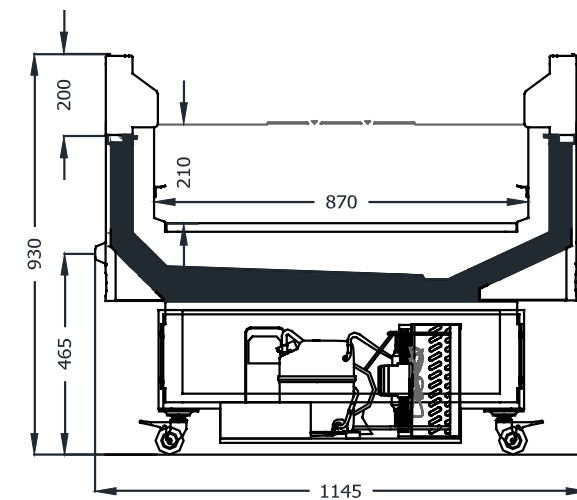
Wet surface:
Galvanized steel with
PVC-coating



Evaporator in the bottom



- Base Height
465
- Available Lengths
1375
2000
- Available Heights
930
- Available Depths
1145
- Refrigerant
R134
R404
- Cover Options
Sliding Glass Lids
Night Cover





Cyclo - Pentane
polyurethane body



Horizontal Plug-in Display
Cabinet



Temperature range:
3L1 - 3L2



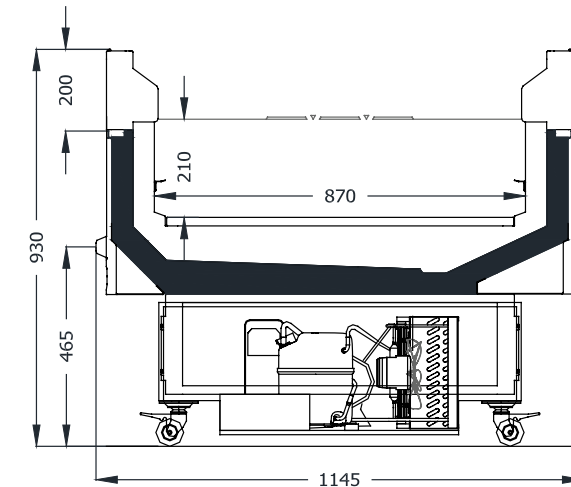
Wet surface:
Galvanized steel with
PVC-coating



Evaporator in the bottom



- Base Height
465
- Available Lengths
1375
2000
- Available Heights
930
- Available Depths
1145
- Refrigerant
R404
- Cover Options
Sliding Glass Lids
Night Cover





Cyclo - Pentane
polyurethane body



Horizontal Plug-in Display
Cabinet



Temperature range:
3L1 - 3L2 - 3M1 - 3M2



Wet surface:
Galvanized steel with
PVC-coating



Evaporator in the bottom



- Base Height
465
- Available Lengths
1375
2000
- Available Heights
930
- Available Depths
1145
- Refrigerant
R404
- Cover Options
Sliding Glass Lids
Night Cover

