
SEMI VERTICAL PRODUCT RANGE

REFRIGERATED DISPLAY CABINETS



TEKSO



ENVIRONMENT FRIENDLY TECHNOLOGIES FOR STORES

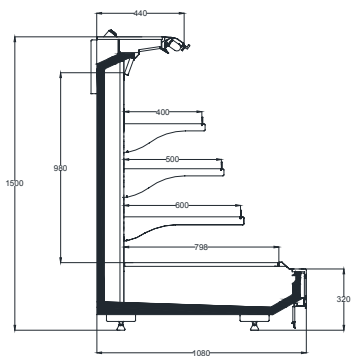
TECHNICAL INFORMATION

Cetus Length Chart

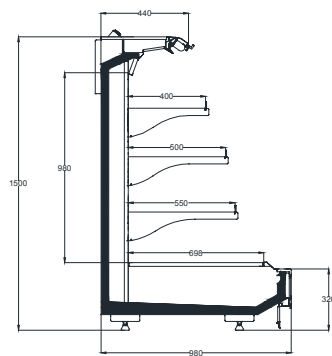
| Length | 937 | | | | 1250 | | | | 1875 | | | | 2200 | 2500 | | | | 3125 | | | | 3750 | | | | | | | |
|--------|-----|---|---|---|------|---|---|---|------|---|---|---|------|------|---|---|---|------|---|---|---|------|---|---|---|----|---|---|---|
| Depth | XD | D | M | G | XD | D | M | G | XD | D | M | G | G | XD | D | M | G | XD | D | M | G | XD | D | M | G | XD | D | M | G |

Depth Options

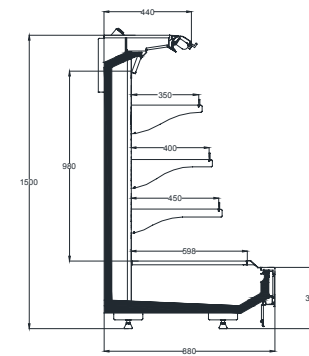
CETUS G



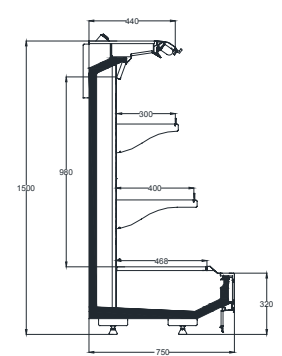
CETUS M



CETUS D

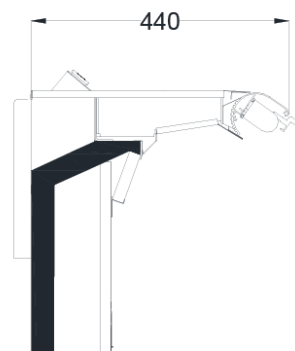


CETUS XD

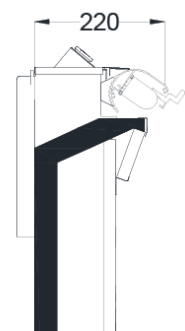


Canopy Details

CETUS C44



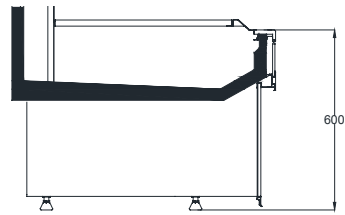
CETUS C22



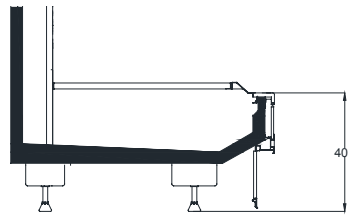
TECHNICAL INFORMATION

Baseline Details

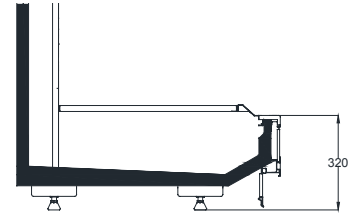
CETUS D59



CETUS D40

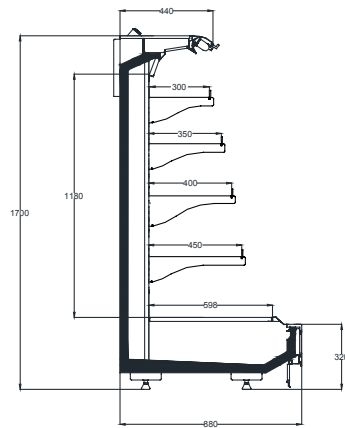


CETUS D32

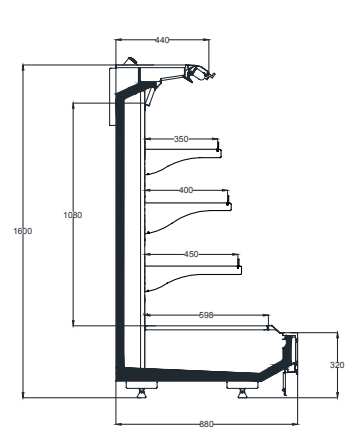


Height Options

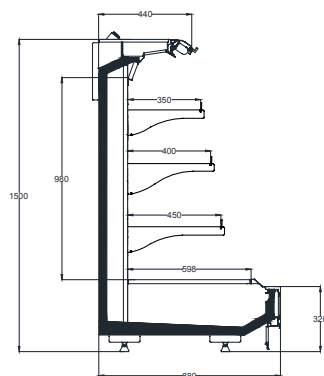
CETUS H1700



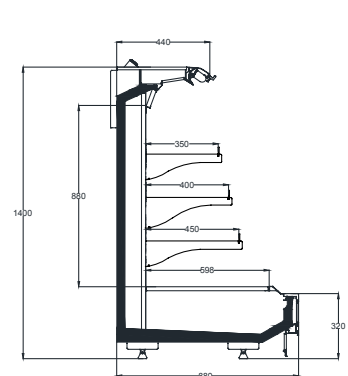
CETUS H1600



CETUS H1500



CETUS H1400



CETUS H1300

